



ASM 390 AND ASM 392

Mobile leak detectors optimized for rapid pump down
and short response times on large test objects.

ASM 390 AND ASM 392

Mobile leak detectors optimized for rapid pump down and short response times on large test objects.

Superior performance, fast testing

The ASM 390 and ASM 392 are the perfect leak detection solutions adapted to the semiconductor and display industries as well as to other demanding applications where rapid pump down and high sensitivity is key. Both models are fully Semi S2 compliant.

These leak detectors are fitted with a dry frictionless backing pump and a powerful high vacuum pump, making them the ideal tools for leak testing of various components in clean environments. Equipped with an additional turbopump, the ASM 392 will speed up your leak detection process to reduce the downtime of your production equipment.

Robust, accurate and reliable

The ASM 390 and ASM 392 were developed to provide full confidence in leak testing regardless of the operator's knowledge. They deliver premium performances and accurate results in a minimal time, making them highly efficient in the field.

Ergonomic and highly maneuverable

ASM 390 and ASM 392 share the same platform and are uniquely ergonomic with a convenient size and height, a secondary handle in the front, a fully rotatable, removable display, an inlet in the front for easy connection to test ports and unrivaled maneuverability for access to all testing areas, even in tight spaces.

Smart and user-friendly

Thanks to a wide, clear color touch display panel, an integrated toolbox with modular compartments and storage space for vacuum bellows, you will be amazed how easy leak detection can be when you have all necessary accessories at the point of use.



Semiconductors



Accelerators



Solar industry

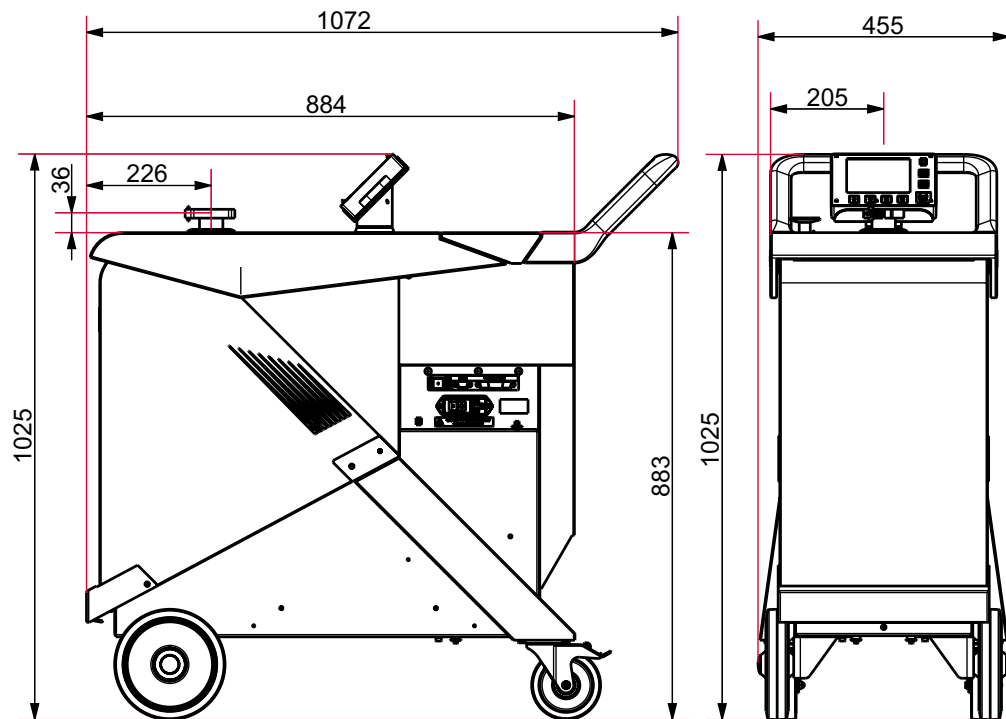


Coating

ASM 390 AND ASM 392

Mobile leak detectors optimized for rapid pump down and short response times on large test objects.

Dimensions



Dimensions in mm

Applications

- Semiconductor industry
- Large area coating
- Solar industry
- Accelerators
- Vacuum components – feedthroughs, valves, bellows, expansion joints
- Laser technology
- Ultra-pure media supply
- Electronics
- Aeronautics
- Medical technology

Technical data

Features	ASM 390	ASM 392
Detectable gases	^4He , ^3He , H_2	
Min. detectable leak rate for Helium (vacuum leak detection)	$1 \cdot 10^{-12}$ mbar l/s	
Min. detectable leak rate for Helium (sniffer leak detection)	$1 \cdot 10^{-8}$ mbar l/s	
Helium pumping speed	10 l/s	25 l/s
Backing capacity	35 m ³ /h	
Maximum inlet test pressure	20 mbar (and additional massive mode)	
Start-up time (20°C) without calibration	2 min	
Inlet flange	DN 40 ISO-KF	
Response time	< 1 s	
Interface	RS-232, I/O, Ethernet (consult operating instructions for more details)	
Noise level	≤ 55 dB (A)	
Operating temperature	10-35 °C	
Supply voltage	100-240 V, 50/60 Hz	
Power consumption	800 W	
Power consumption max.	1,600 W	
Weight	125 kg	130 kg
Dimensions (LxWxH)	1,072 x 455 x 1,025 mm	

Order number matrix ASM 390/392

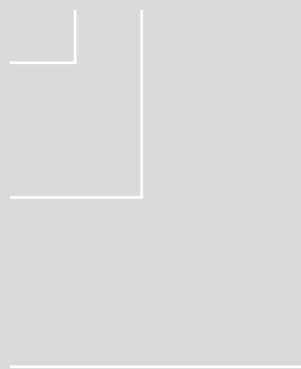
Version	a
ASM 390	CSGB01
ASM 392	ESGB02

Interface board	b
Basic 15 pins I/O	0
37 pins I/O	2
37 pins I/O + Ethernet ¹⁾	4

Customization on exhaust	c
None (Standard)	A
Exhaust DN 25	B
Exhaust DN 40	C

Order number

a G b M M 9 c



Accessories

Accessorie	Order number
Bottle holder for ASM 390 and ASM 392	126561
Remote control	
RC10 (wired/wireless operation, color touch screen)	124193
Basic with 5 m cable	106688
Locking clamp DN 40 KF	118801
Standard sniffer probe ²⁾	
5 m hose length, rigid 9 cm nozzle	SNC1E1T1
External communication box ECB-Wifi	125902
Helium spray gun	
Standard	112535
Spray gun "Elite" with accessories in a case	109951
Inlet filters for dust ²⁾	
Brass, 20 µm, DN 40/40 ISO-KF	105842
Stainless steel, 15 µm, DN 40/40 ISO-KF	on request

¹⁾ Ethernet will allow to create an additional COM port to operate the leak detector through a computer

²⁾ Other configurations available, please contact your local Pfeiffer Vacuum support



Customer benefits

- High maneuverability and compact design
- Superior leak testing performances
- Large rotateable color touch screen
- High roughing capacity (35 m³/h) for fast evacuation
- Dry and clean pumping technology
- Low maintenance requirements
- Ergonomic design with working surface
- Fast recovery in case of pollution
- Intuitive menu for easy operation
- Integrated toolbox for storage of accessories
- Fast start-up
- High sensitivity and accurate measurements
- Fully Semi S2 compliant

VACUUM SOLUTIONS FROM A SINGLE SOURCE

Pfeiffer Vacuum stands for innovative and custom vacuum solutions worldwide, technological perfection, competent advice and reliable service.

COMPLETE RANGE OF PRODUCTS

From a single component to complex systems:

We are the only supplier of vacuum technology that provides a complete product portfolio.

COMPETENCE IN THEORY AND PRACTICE

Benefit from our know-how and our portfolio of training opportunities!

We support you with your plant layout and provide first-class on-site service worldwide.

Are you looking for a
perfect vacuum solution?
Please contact us:

Pfeiffer Vacuum GmbH
Headquarters · Germany
T +49 6441 802-0

www.pfeiffer-vacuum.com