



TPG 201, Pirani handheld measurement unit

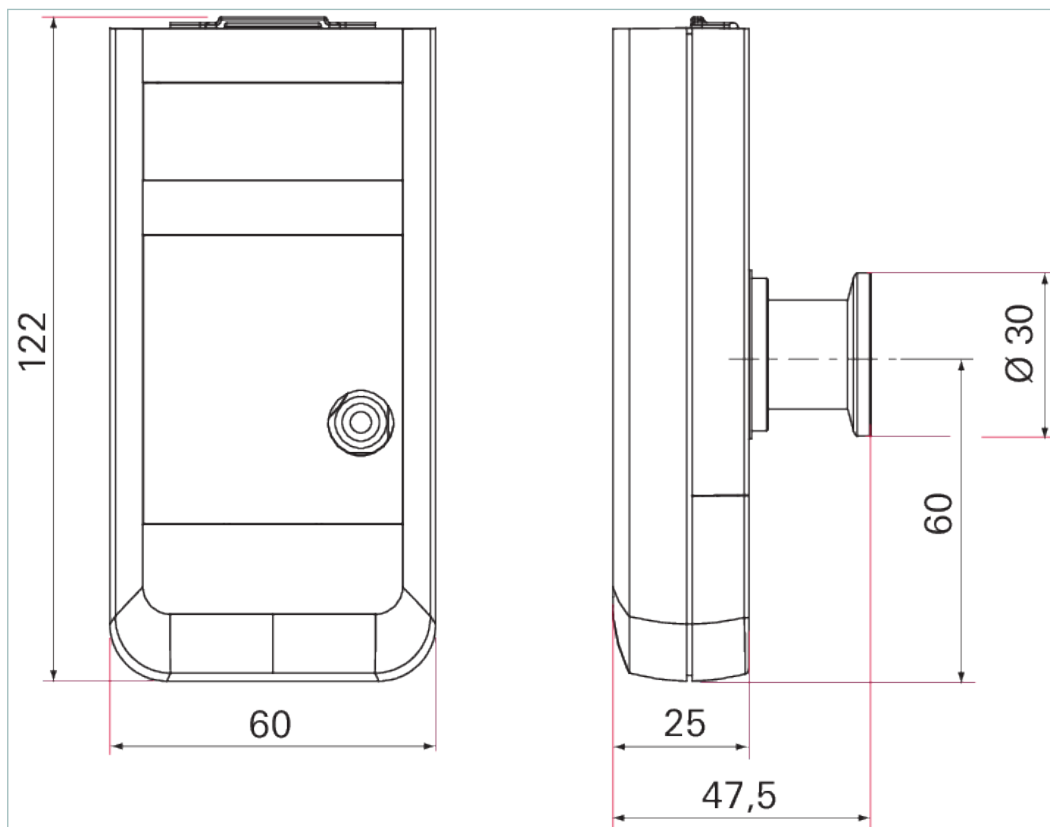


Similar Image

TPG 201, Pirani handheld measurement unit

- Battery-operated manual measurement unit
- Measurement range from $5 \cdot 10^{-4}$ to 1000 hPa
- Data logging function
- Data readout by PC

Dimensions



Technical Data	TPG 201, Pirani handheld measurement unit
Accuracy: $1 \cdot 10^{-2}$ – 10 hPa	10 %
Accuracy: 10 – 100 hPa	30 %
Ambient temperature	5-40 °C 41-104 °F 278-313 K
Battery type	9 V AIMn E bloc, 6 LR6 ; 9 V Lithium E bloc
Feature	Pirani sensor
Materials in contact with media	Nickel, stainless steel, tungsten, glass-feedthroughs
Measurement range	$5 \cdot 10^{-4}$ – $1 \cdot 10^3$ hPa
Nominal diameter	DN 16 ISO-KF
Pressure max.	4,000 hPa 3,000 Torr 4,000 mbar
Protection category	IP40
Seal	Metal
Temperature: Storage	-20-60 °C -4-140 °F 253-333 K
Weight	195 g

Order number

TPG 201

PT G28 201

Accessories	
Transport Transportation accessories	
Accessories kit with power supply pack, battery, USB cable, DokuStar software	PT 350 102 -T

VACUUM SOLUTIONS FROM A SINGLE SOURCE

Pfeiffer Vacuum stands for innovative and custom vacuum solutions worldwide, technological perfection, competent advice and reliable service.

COMPLETE RANGE OF PRODUCTS

From a single component to complex systems:

We are the only supplier of vacuum technology that provides a complete product portfolio.

COMPETENCE IN THEORY AND PRACTICE

Benefit from our know-how and our portfolio of training opportunities!

We support you with your plant layout and provide first-class on-site service worldwide.

Are you looking for a
perfect vacuum solution?
Please contact us:

Pfeiffer Vacuum GmbH
Headquarters · Germany
T +49 6441 802-0
info@pfeiffer-vacuum.de

www.pfeiffer-vacuum.com

All data subject to change without prior notice.

PFEIFFER  **VACUUM**